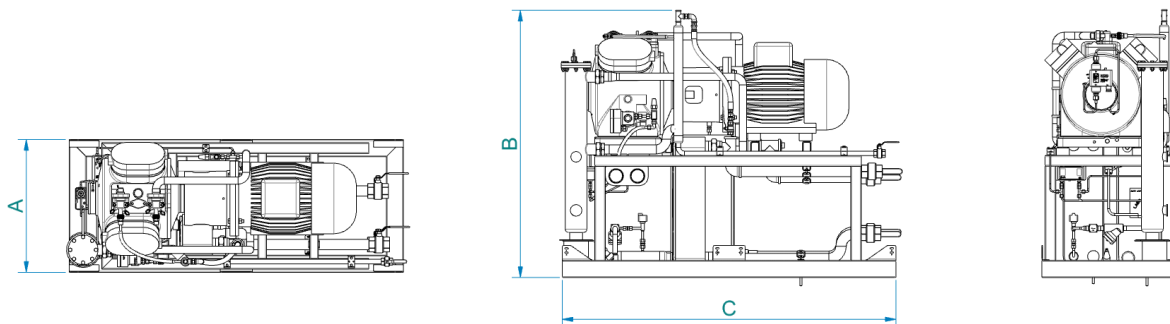
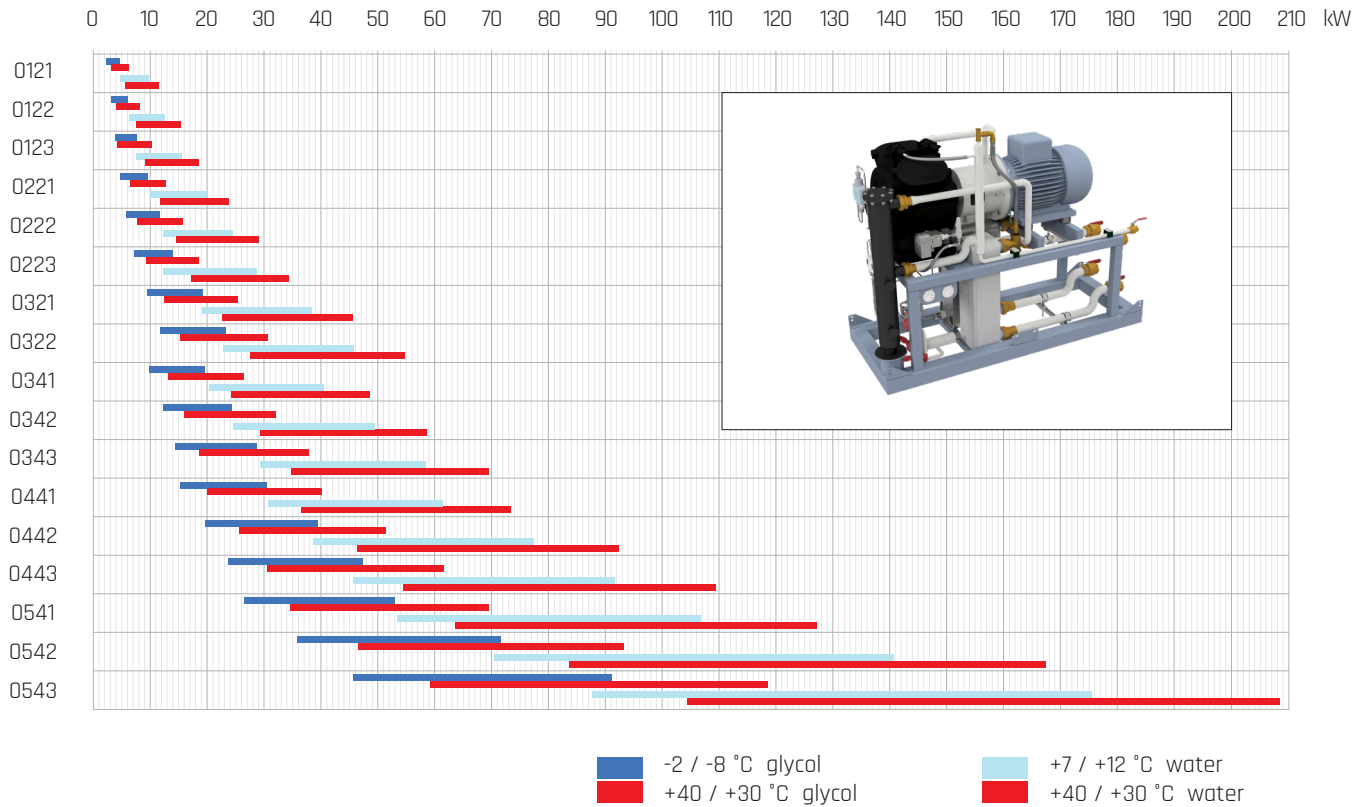


# HYBRIDS

✓ simultaneous cooling and heat generation by one device using natural refrigerants R717 and R723

✓ ice rink operations, retail warehouses, swimming pools

## Performance Comparison for Twineco® R723 Hybrids



### Hybridy Twineco® R723

Compressor	Number of compressors	Dimensions (mm)			Weight [kg]
		Width A	Height B	Length C	
0121 - 0123 0221 - 0223	1	520	1150	1110	280
0321 - 0322 0341 - 0343	1	570	1150	1285	420
0441 - 0443 0541 - 0543	1	620	1300	1560	620